

H2O PRESTO BOILER

Under Bench Boiling Unit

The H2OPresto Boiler by Aqua Cooler is an innovative drink system designed to sit out of sight and dispense ambient or boiling water on demand for a variety of applications.



KEY FEATURES

- 5L/h hot water output
- Stylish Boiling and Ambient touch screen tap w/ temperature display.
- Simple and safe to use, with automatic shutdown.
- Specifically designed for space-saving, under-bench installation.
- Fully insulated to achieve maximum energy efficiency.
- Flexible hot water setting between 100°C and 40°C.
- 12-months standard warranty.
- Full range of replacement parts.



The H2O Presto Under Bench Unit is designed to easily fit under your sink, saving you floor and bench space. The unit includes a stylish stainless steel touch screen tap that outputs both hot and ambient water. Pair this unit with our H2O Presto Chiller unit to create a complete underbench package.

Aqua Cooler products are manufactured from the highest quality components supplied from the industry's leading suppliers and designed to run efficiently with low maintenance.

Model Selection Chart

Name	Temperature	Colour	Faucet	Filtered	SKU
H2O Presto - Boiler	Hot / Ambient	White	Included	-	H2OP-BOIL
H2O Presto - Boiler	Hot / Ambient	White	Included	Filtered	H2OP-BOIL-F
H2O Presto - Combo	Hot / Chilled	White	Included	-	H2OP-PACK
H2O Presto - Combo	Hot / Chilled	White	Included	Filtered	H2OP-PACK-F

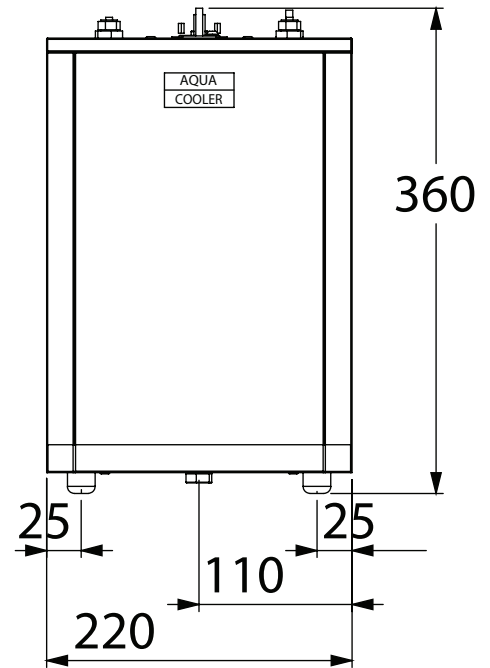
TECHNICAL SPECIFICATIONS

Ambient water	Water inlet	1/4" quick connect fitting
	Water outlet	Through electronic faucet
Hot water	Water inlet	1/4" quick connect fitting
	Water outlet	Through electronic faucet
Tank capacity	4.2L	
Tank material	Stainless steel 304	
Thermostat control	Electronic temperature control	
Electrical	230V 50Hz	
Power	1800W	
Weight	7.1 kg	
Max Pressure	350kpa	
Min Pressure	150kpa	
Dimension	22(W) x 36(D) x 35(H)cm	
Warranty	Twelve-month comprehensive coverage.	

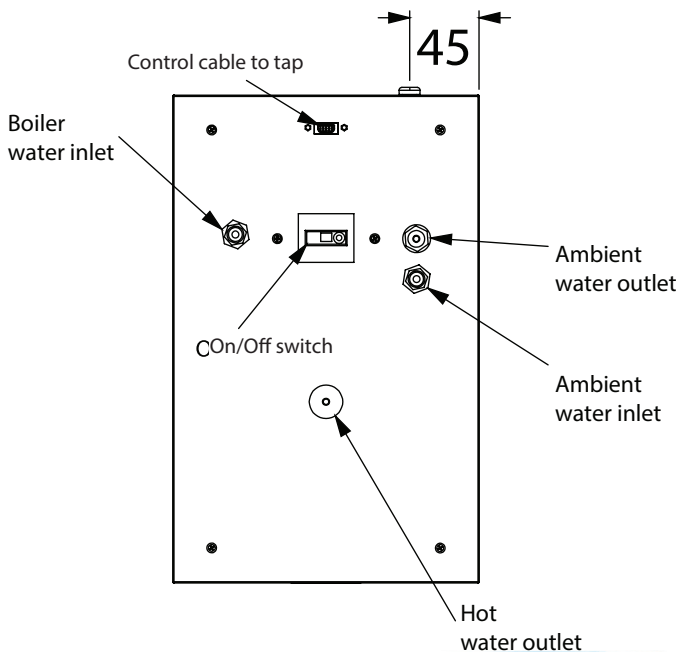
This unit is supplied with a pressure limiting valve. Please install the valve between the water source and inlet during installation.



Front



Top



Side

