

H2O PRESTO CHILLER

Under Bench Chilling Unit

The H2OPresto Chiller by Aqua Cooler is an innovative drink system designed to sit out of sight and dispense chilled water on demand.



KEY FEATURES

- 5L/h chilled water output
- Simple to use, with automatic shutdown.
- Specifically designed for space-saving, under-bench installation.
- Fully insulated to achieve maximum energy efficiency.
- Easy filter replacement with a single twist.
- 12-months standard warranty.
- Full range of replacement parts.



The H2O Presto Under Bench Unit is designed small to easily fit under your sink, saving you floor and bench space. The unit outputs 5L/h of chilled water and can be paired with an optional filter kit. Pair this unit with our H2O Presto Boiling unit to create a complete underbench package.

Aqua Cooler products are manufactured from the highest quality components supplied from the industry's leading suppliers and designed to run efficiently with low maintenance.

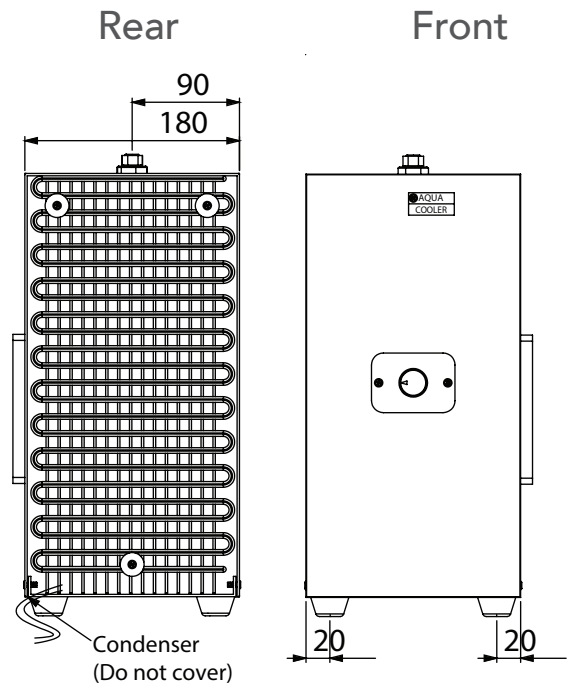
Model Selection Chart

Name	Temperature	Colour	Faucet	Filtered	SKU
H2O Presto - Chiller	Chilled	Black	-	-	H2OP-CHILL-BLK
H2O Presto - Chiller	Chilled	Black	-	Filtered	H2OP-CHILL-BLK-F
H2O Presto - Chiller	Chilled	Black	Included	-	H2OP-CHILL-BLK-T
H2O Presto - Chiller	Chilled	Black	Included	Filtered	H2OP-CHILL-BLK-F-T
H2O Presto - Chiller	Chilled	White	-	-	H2OP-CHILL-WHT
H2O Presto - Chiller	Chilled	White	-	Filtered	H2OP-CHILL-WHT-F
H2O Presto - Chiller	Chilled	White	Included	-	H2OP-CHILL-WHT-T
H2O Presto - Chiller	Chilled	White	Included	Filtered	H2OP-CHILL-WHT-F-T
H2O Presto - Combo	Hot / Chilled	White	Included	-	H2OP-PACK
H2O Presto - Combo	Hot / Chilled	White	Included	Filtered	H2OP-PACK-F

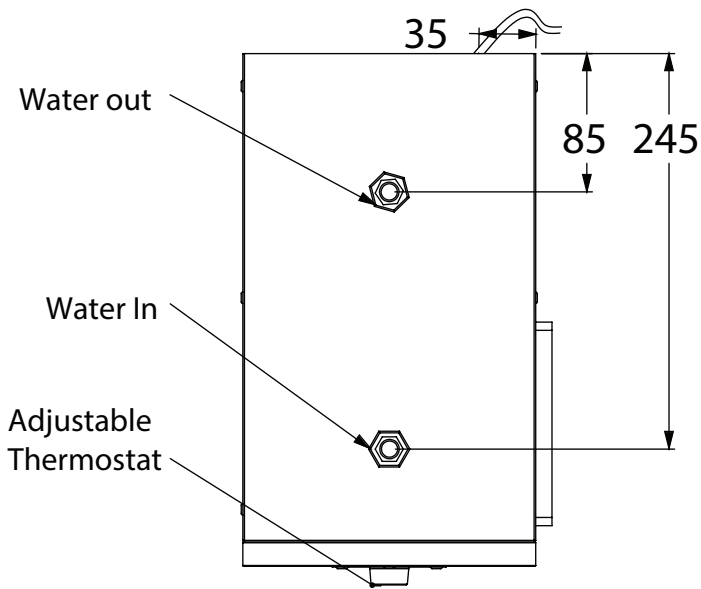
TECHNICAL SPECIFICATIONS

Cold water	Water inlet	1/4" quick connect fitting
	Water outlet	1/4" quick connect fitting
Tank capacity	4L	
Tank material	Stainless steel 304	
Refrigerant	60g R134a	
Electrical	220 - 240V 50Hz	
Power	150W	
Weight	12 kg	
Max Pressure	400kpa	
Min Pressure	20kpa	
Dimension	18(W) x 31.5(D) x 38(H)cm	
Warranty	Twelve-month comprehensive coverage.	

This unit is supplied with a pressure limiting valve. Please install the valve between the water source and inlet during installation.



Top



Side

