

SONATA SERIES

Remote Water Cooling Systems

Sonata Series water cooling systems remotely supply chilled drinking water to a faucet or fountain. Available in three different configurations to suit your application, whether it be a school-yard bubbler or workshop fountain.



KEY FEATURES

- Available in a low-volume and three heavy-duty configurations
- Waterways are lead-free in materials and construction
- Constructed from heavy-duty galvanised steel
- Stainless steel cooling tank
- Refrigerant R-134a
- Adjustable thermostat
- Features a 1.5L Tank (SMC30 and 45)
- Features a 7.5L Tank (SMC75)

Sonata remote drinking water systems deliver between 30 and 75.0 L/h (model specific) of water at 10 °C cooled from 27 °C inlet water at 32 °C ambient. Pressure Regulating Valves are to be used with water pressures above 5 Bar. The evaporator uses copper evaporator tubes on stainless steel water storage tank, both of which are encapsulated in insulation. The R-134a refrigerant system is hermetically sealed and refrigerant is capillary-tube controlled. An adjustable thermostat having an off position controls the refrigeration system. Available in SMC30, SMC45 or the larger capacity SMC75 model with galvanised steel finish.



Technical Specifications

Housing Material	Stainless steel		
Refrigeration	Uses R134A refrigerant		
Water Connections	SMC 30	Water Inlet / Outlet	¼" Push Fit
	SMC 45	Water Inlet / Outlet	¾" Female NPT Thread
	SMC 75	Water Inlet / Outlet	¾" Push Fit

Thermostat Control	The thermostat is factory set	
Power Consumption	SMC30	550 W
	SMC45	620 W
	SMC75	814 W
Electrical	220-240 V, 50/60 Hz	
Warranty	Twelve month comprehensive coverage, additional twenty-four month compressor replacement.	

Model Selection Chart

Model	Rated Capacity	Compressor HP	Full Load Amps	Rated Watts	Cabinet Finish	Net Weight (Approx.)
SMC30	30.0 L/h	¼	4.8 A	550 W	Galvanised Steel	24 kg
SMC45	45.0 L/h	⅓	5.4 A	620 W	Galvanised Steel	24 kg
SMC75	75.0 L/h	½	3.7 A	814 W	Galvanised Steel	26 kg

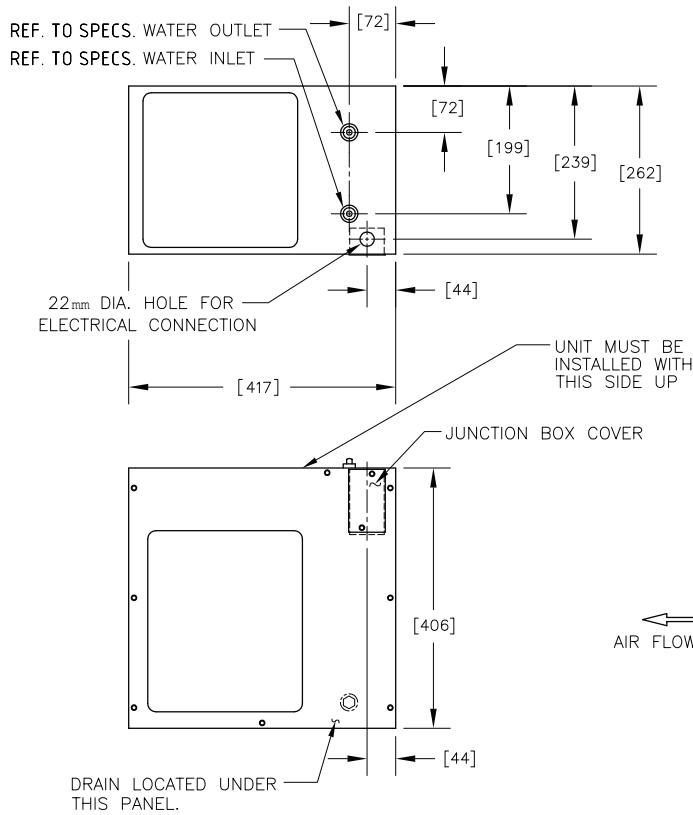
Electrician Needed For Installation

Your Partner in Cool.

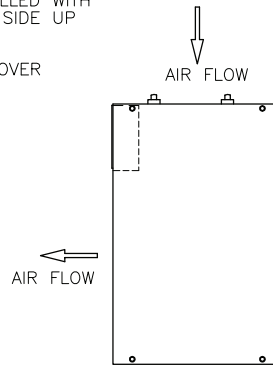
**AQUA
COOLER**

SMC30 / SMC45

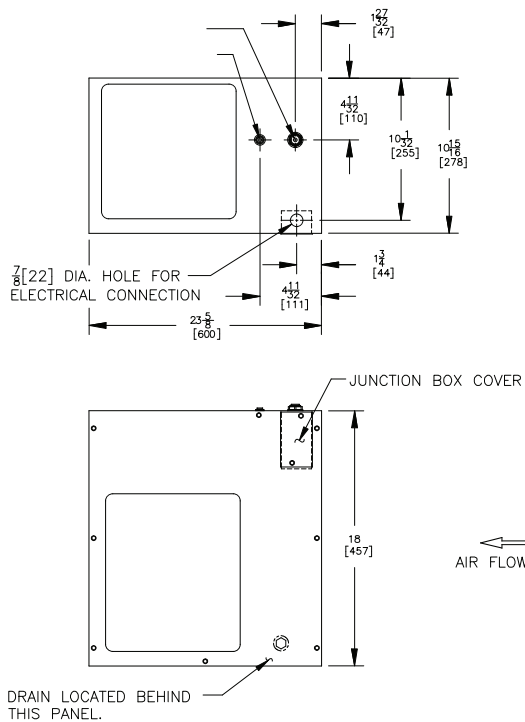
 **Electrician Needed For Installation**



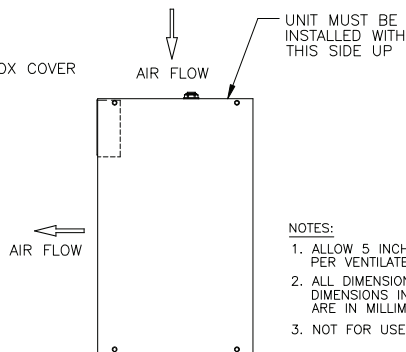
WATER INLET: DN15 MALE BSP CONNECTION. 1/2" BSP FEMALE FITTING ALSO INCLUDED.
WASTE: DN40 SOCKET OUTLET. FLEXIBLE COUPLING. NEEDS TRAP FITTED.
POWER: 3 PIN POWER CABLE PROVIDED TO BE CONNECTED TO RCD PROTECTED CIRCUIT



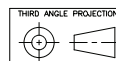
SMC75



WATER INLET: DN15 MALE BSP CONNECTION. 1/2" BSP FEMALE FITTING ALSO INCLUDED.
WASTE: DN40 SOCKET OUTLET. FLEXIBLE COUPLING. NEEDS TRAP FITTED.
POWER: 3 PIN POWER CABLE PROVIDED TO BE CONNECTED TO RCD PROTECTED CIRCUIT



- NOTES:
1. ALLOW 5 INCHES [127 MM] MIN. PER VENTILATED SIDE.
 2. ALL DIMENSIONS ARE IN INCHES. DIMENSIONS IN BRACKETS [] ARE IN MILLIMETERS.
 3. NOT FOR USE WITH R.O. WATER.



ROUGHING-IN AND DIMENSIONAL DRAWING