



WALL-RECESSED BOTTLE FILLER

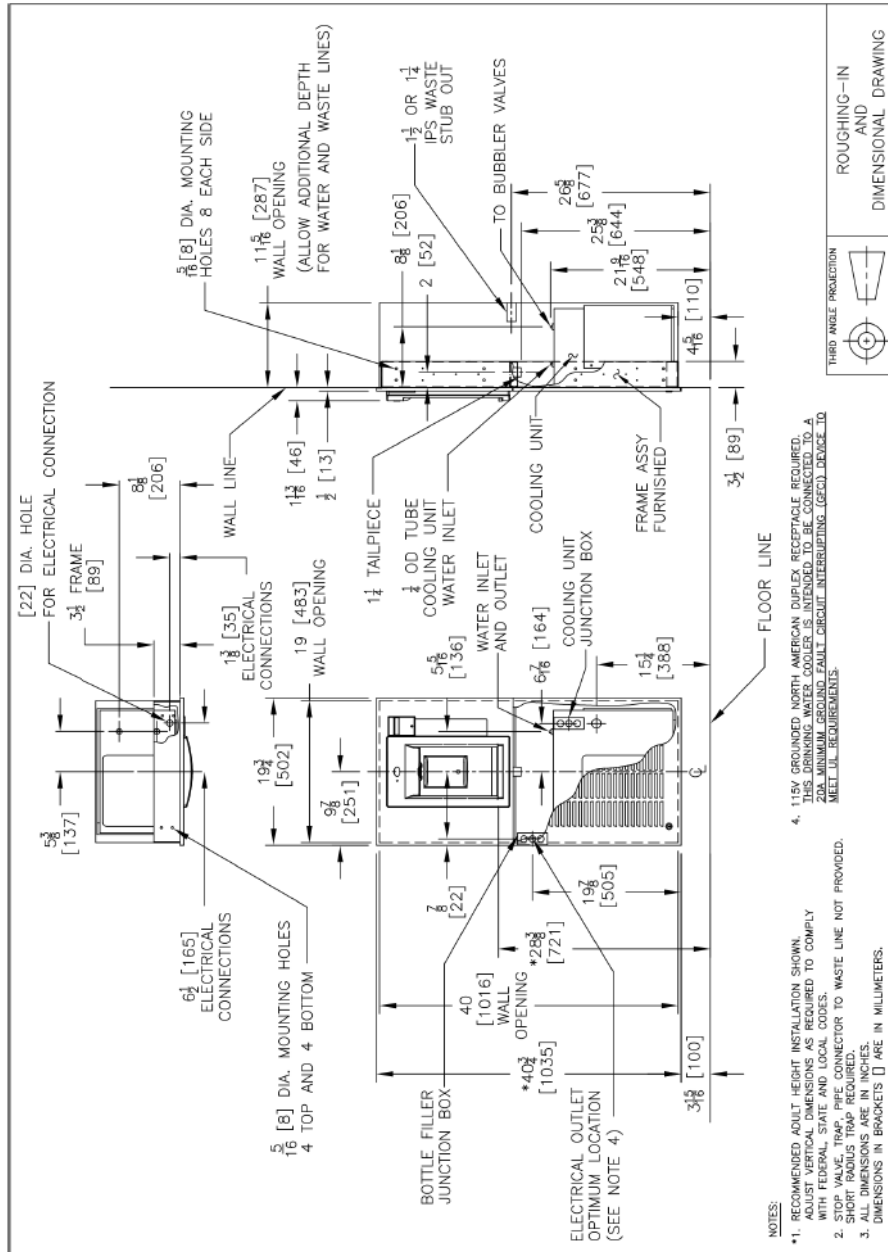
Usage and Care Manual

Models: AC-MW8EBFY-ASM

Your Partner in Cool.

AQUA
COOLER

PRODUCT DIAGRAM



TECHNICAL SPECIFICATIONS

ITEMS:	SPECIFICATION:	
Refrigerant	Uses R134A refrigerant	
Water Connections	Water Inlet	DN15 BSP Male
	Water Outlet	Electronic (touch free) bottle filler
	Drain	DN40 metal banded metal flexible coupling
Thermostat Controls	The thermostat is factory set.	
Capacity	30L/h at 10°C water supply	
Power Consumption	340W	
Electrical	220-240V, 50/60 Hz	
Warranty	Twelve-month comprehensive coverage, additional twenty-four-month compressor replacement.	

IMPORTANT SAFETY INSTRUCTION

When using electrical appliances, basic safety precautions should be followed to reduce the risk of fire, electric shock and injury to persons or property. Read all instructions before using any appliance.

- Keep combustible material such as furniture, bedding, pillows, clothes and/or papers away from the unit.
- Do not operate this, or any other appliance, with a damaged power cable.
- No other appliance should be connected into the same power supply.
- Do not run the power cable over carpeting or other heat insulators.
- Keep the power cable away from high traffic areas.
- Do not submerge the power cable in water.
- We do not recommend the use of joint cables as they may overheat and increase the risk of fire.
- Exercise caution and use reasonable supervision when the appliance is used by or near children.
- Keep a minimum distance on each air-louvre side free.
- Do not use this product to dispense anything other than water.
- Do not use this product to dispense anything other than water.
- This appliance must be installed on an even and flat surface or wall.
- If the power cable or terminal is damaged, one of its service agents or a similarly qualified person must replace it to avoid hazard.
- Switch off the main power source before servicing the appliance.
- Warranty will be voided if installation is not carried out as detailed in this instruction manual.
- The compressor motor is equipped with an automatic reset protector which will disconnect the motor from the line in case of an overload.

IMPORTANT INFORMATION ABOUT GROUNDING

- To provide additional protection from the risk of shock, this unit must always be connected to a residual-current device (RCD) or a breaker. Use of joint cable should be avoided.
- This appliance must be grounded. Improper use of the grounding plug can result in a risk of electric shock, causing serious injury and possibly death.
- This appliance is equipped with the power terminal or power cord. A ground connection must be connected into a properly grounded, polarised outlet.
- Consult a qualified electrician if the grounding instructions are not completely understood, or if doubt exists as to whether the appliance is properly grounded.
- Do not under any circumstances cut or remove the third (ground) prong from the power cord plug (if provided). Do not use an adapter plug with this appliance.

INSPECTION

Inspect the cartons and various components for evidence of rough handling and concealed damage. Damage claims should be filed with the carrier.

INSTALLATION

The installation must be in accordance with AS/NZS 3500.1 and AS/NZS 3500.2, as well as the instructions below. Pipe jointing and installation is a trade skill and Aqua Cooler recommended this process is performed by qualified personnel only.

This drinking water cooler is designed to be operated at a water supply line pressure of up to 690kPa. The maximum operating temperature is 40°C. A pressure regulator must be installed in front of the unit's water inlet. (see End Connection section)

OVERLOAD PROTECTION (systems with chiller)

The compressor motor is equipped with an automatic reset protector which will disconnect the motor from the line in case of overload.

LUBRICATION (systems with chiller)

This unit is equipped with a hermetically sealed compressor. No additional lubrication is required. The fan motor installed on this unit seldom needs oiling. If required, a few drops of SAE 10 oil should be used.

INSTALLATION

STEP 1 - INSTALL FRAME ASSEMBLY

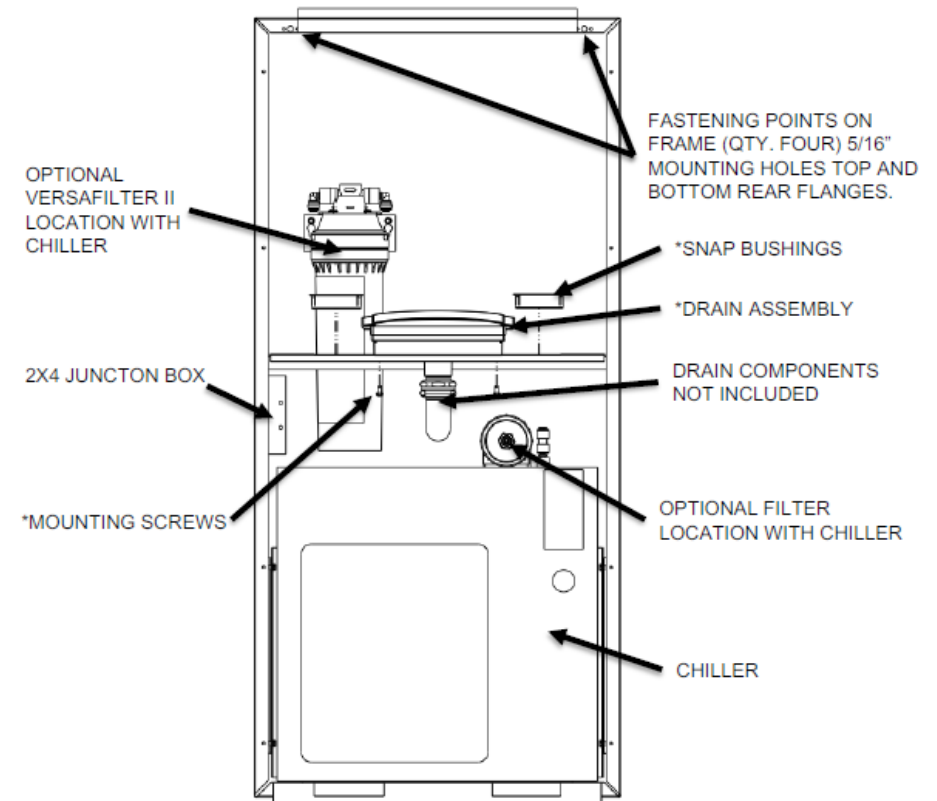
Install frame assembly per rough in drawing. Note, the front flange of the frame must be flush with the finished wall surface unless a trim bezel is desired.

Secure cradle mounting angles to the frame flange using the screws provided. Do not tighten the screws. Slide cradle between the angles and attach to the angles with screws provided. Tighten all screws.

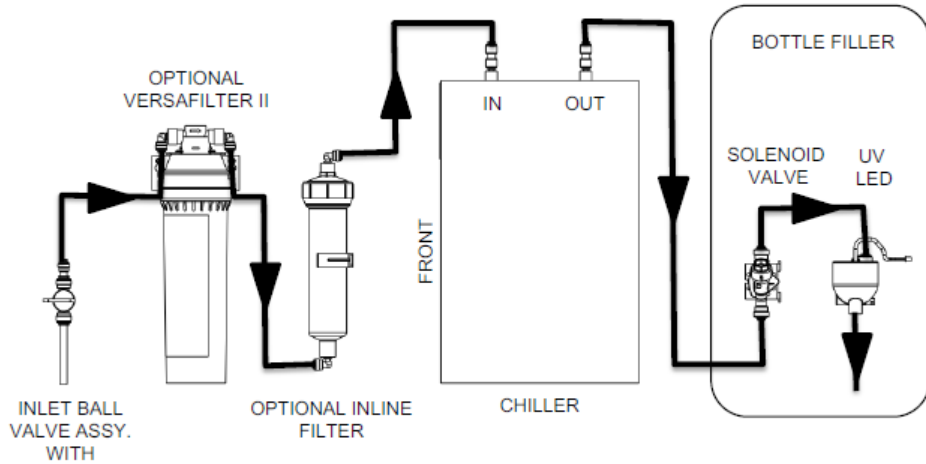
Place chiller in frame cradle

Install drain assembly

Install snap bushings



INSTALLATION CONT.



STEP 2 - PLUMBING CONNECTIONS

Plumbing rough-in and wall opening should be prepared as shown in the rough-in drawing. This drinking water cooler is designed to be operated at a water supply line pressure of up to 100 PSI (690kpa). A pressure regulator must be installed in front of the units water inlet if the pressure (including any possible pressure spikes) could exceed 100 PSI (690kpa).

Assemble the optional inline filter clip to the chiller as shown XXX

Install stem elbows (provided) on the inline filter.

Place the inline filter in the clip as shown

Mount the VersaFilter II in the location shown on previous page.

Install stem elbows (provided) on the VersaFilter II

Install 1/4" union fittings (provided) on chiller inlet and outlet

Install provided 3/8" O.D. copper tube, strainer, ball valve, and reducer to the building water supply.

Install tubing as show above

Note the tubing from the chiller outlet fitting to the solenoid valve inlet fitting should be insulated (provided).

INSTALLATION CONT.

STEP 3 - ELECTRICAL CONNECTIONS

A 2x4 junction box is provided for the installation of a 115V receptacle. This unit is intended to be connected to a ground fault circuit interrupting (GFCI) device to meet UL requirements. It is recommended that a flexible conduit be used to supply power to the junction box and chiller if used. Check the electric current available. Type and voltage must be the same as listed on the product data plate.

As you put the bottle filler panel assembly in place on the frame assembly, feed the long green ground wire and the terminals in the power supply cord through the bushings in the frame assembly.

Attach the long green ground wire to the frame assembly junction box ground, then plug in the bottle filler power cord.

INSTALLATION CONT.

STEP 4 - FINAL ASSEMBLY

Install upper front panel assembly using screws provided

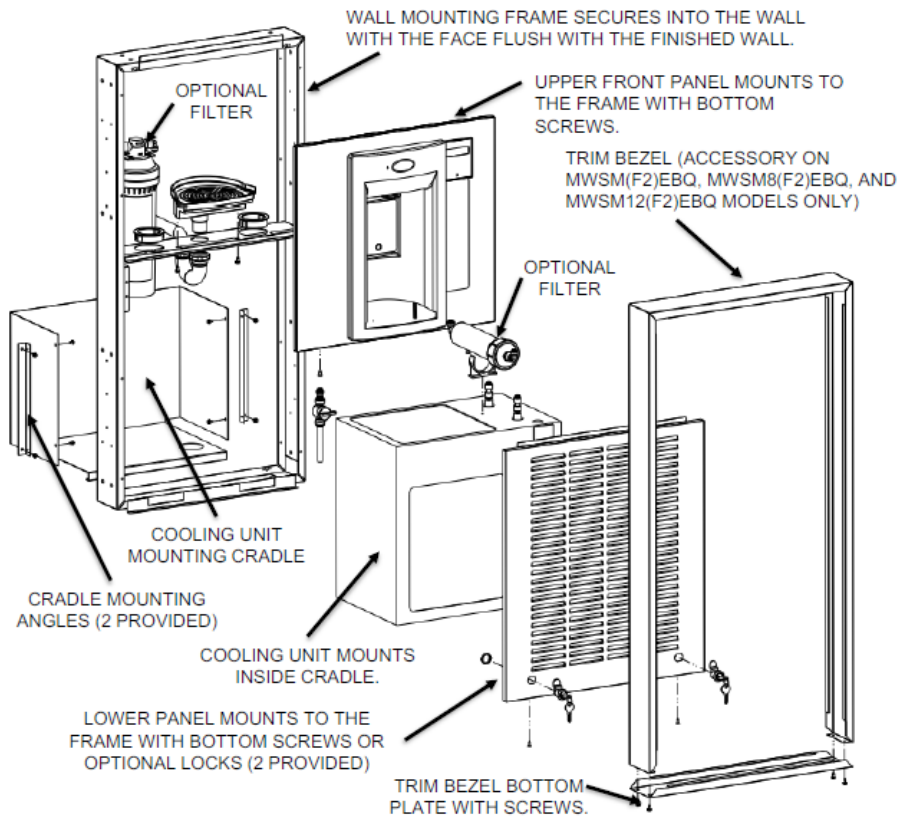
Install lower front panel using screws or locks provided

TRIM BEZEL - INSTALLATION

Install frame assembly to a flat surface, use appropriate fastening hardware (not included), refer to rough-in for correct installation height.

Remove bottom plate from trim bezel (4 screws)

Install trim bezel to frame assembly and replace bottom plate with 4 screws.



SET-UP GUIDES CONT.

BOTTLE FILLER ELECTRONICS:

Factory default program settings:

- Units: Gallons
- Unfiltered unit
- Flow meter = Rate selected
- Filter capacity = 1250 gallons (4731L) for VersaFilter
- Bottle count = 0.5L (1 bottle)
- Flow rate = 1.2 GPM
- 20s max dispense time.

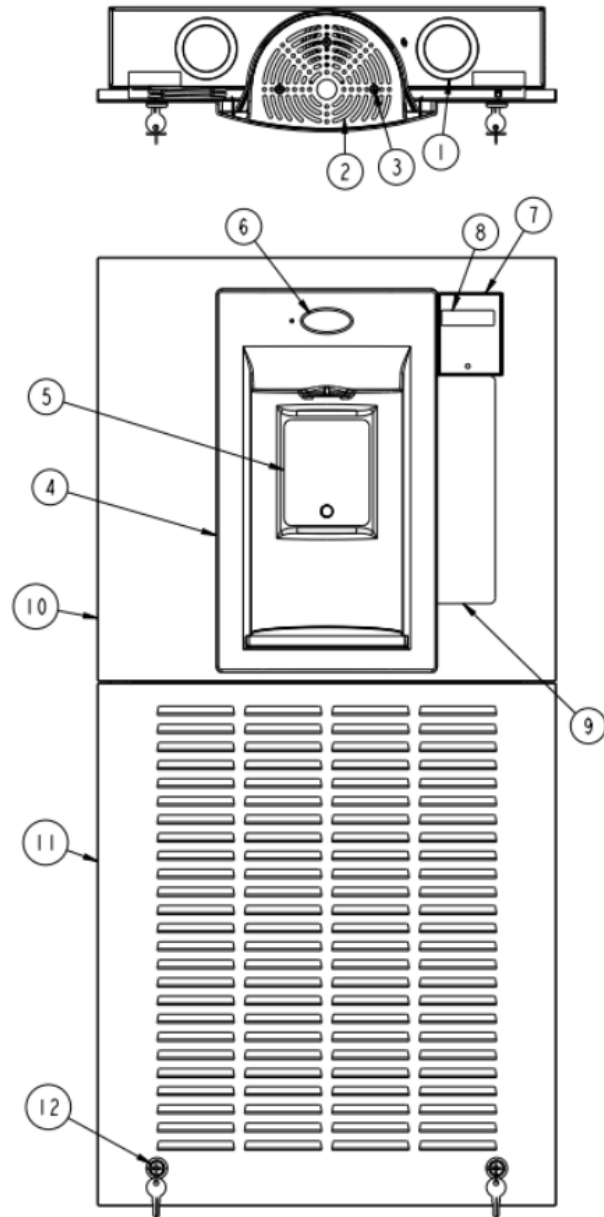
To change the program settings, follow these steps:

DISPLAY	ACTION
00000000 BOTTLES REUSED (Home Screen)	Depress button for 3 seconds to enter into the following menu settings and make changes. Note: at anytime it will exit menu and save settings when idle for 10 seconds (no button press) and revert back to Home Screen.
LTR/GAL GAL	Depress button for 3 seconds to change from Gallons to Litres, or momentary press to advance to next menu.
UNFLT/FILT? UNFLT UNIT	Depress button for 3 seconds to change from Unfiltered to Filtered unit, or momentary press to advance to next menu
FLOW METER? RATE SELECTED	Depress button for 3 seconds to change from Rate Selected to (Flow) Meter Enabled, or momentary press to advance to next menu
SELECT RATE 1.2 GPM UNIT	To change flow rate, momentarily depress button to change whole gallon digit. Hold button 3 seconds to advance to TENTHS of gallon digit. Depress momentarily to change the digit. Hold button 3 seconds to advance to the next menu.
RESET 00000000 GALLON CNT [LTR COUNT]	Depress button for 3 seconds to reset Gallon or Litre count, or momentary press to advance to next menu
FILT CAPAC OF 1250 GAL [4731 LTR]	Depress button for 3 seconds to change filter capacity to 3000 GAL [11355 Litres] for Versafiller I or Galaxi green filter, or momentary press to advance to next menu
3 sec rule? 0.5L	Depress button for 3 seconds to switch from 0.5L bottle to 3 sec rule, or momentary press to advance to next menu. (The 3 Sec rule increases the bottle count based on a 3 second dispense.)
RESET 00000000 BOT COUNT?	Depress button for 3 seconds to reset (Home Screen) BOTTLES REUSED count, or momentary press to advance to next menu.
Bot Filler Set_time:20s	Depress button for 3 seconds to change maximum dispense time to 10, 20, or 30 seconds, or momentary press advance to next menu.
RUN CAL AGAIN?	Depress button for 3 seconds to run calibration again, or momentary press to advance to next menu.

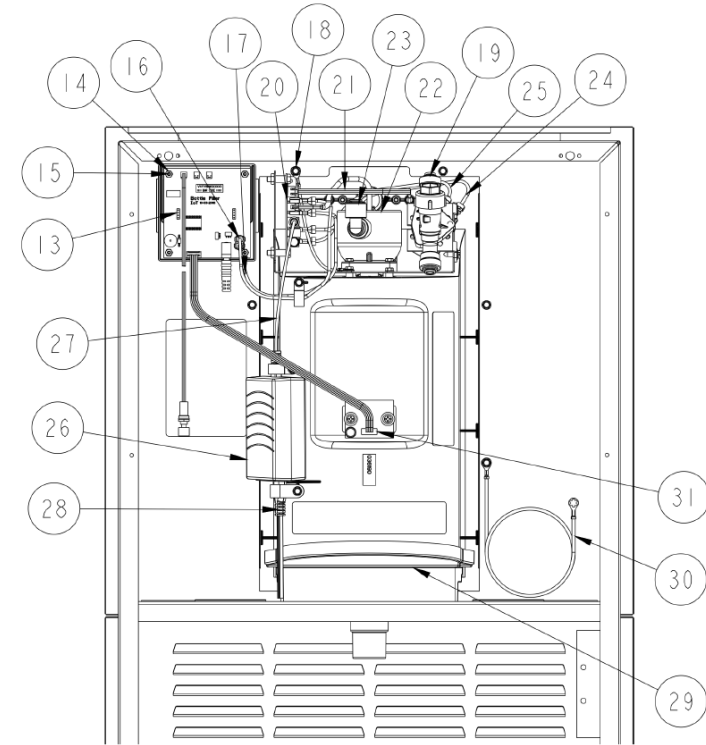
REMOVING FROM SERVICE

- Disconnect the power supply.
- Disconnect the water supply.
- Drain cooler by removing grille, closing supply valve, and draining water.
- Remove the drain plug and bubbler.

SPARE PARTS



SPARE PARTS



DESC.	PART #	QTY	ITEM	DESC.	PART #	QTY
1 Bushing, Snap 2.5"	027189-012	2	17	Lead Wire Assy 14FF (Red)	021929-177	1
2 Grille, MSBF	036192-001	1	18	Lead Wire Assy 6GG (Green)	021339-102	1
3 Screw, Flat HD Tapping	026675-003	3	19	Solenoid Valve 12VDC	038030-002	1
4 Alcove, EBF, UV LED	036190-005	1	20	PCB, UV	041051-001	1
5 Label, Alcove Sensor	038031-006	1	21	Cable Assy., 3 Wire UV LED	041061-001	1
6 Nameplate, Oasis	031434-014	1	22	UV LED 9+ Visible Pod Module	041050-002	1
7 Bezel, LCD Display	038025-003	1	23	FTG. PP Reducing Elbow	029962-103	1
8 Label, LCD Bezel	038031-005	1	24	Lead Wire Assy Black 14"	017340-483	1
9 Label, Panel, Quasar	038031-011	1	25	Lead Wire Assy Red 14"	021929-177	1
10 Panel, EBF Bottle Filler Upper	027624-413	1	26	Power Supply, 12 VDC	038036-003	1
11 Panel, MWSBF Lower Louver	027697-005	1	27	Power Adapter Cable, 18GA DC	041052-001	1
12 Lock Assy No Cam	031657-006	2	28	Cord Assy., DC Power Supply	038168-001	1
13 Electronics Assy, IR/LCD	038026-002	1	29	Drain, MSBF	036191-001	1
14 Nut, Hex Nylon	026824-026	4	30	Lead Wire Assy 16GG (Green)	021339-177	1
15 Screw, Hex Head Nylon Machine	038944-002	4	31	Lens, IR Bottle Filler	038027-001	1
16 Lead Wire Assy 14FF (Black)	017340-483	1				

Your Partner in Cool.

WARRANTY & SERVICE REGISTRATION

For All Aqua Cooler Water Cooler and Fountain Products

Effective July 2017

Aqua Cooler Pty Ltd warrants this appliance to the first purchaser as follows and subject to the stated conditions.

12 Month Comprehensive Warranty - Any defect in the appliance occurring within the first twelve months from the date of purchase will be rectified free of charge by Aqua Cooler Pty Ltd or by any authorised independent Service Agent.

24 Month Extended Warranty - Aqua Cooler Pty Ltd agrees to replace any part of the hermetically sealed refrigeration system which becomes inoperative in the two years following the first years comprehensive warranty. This extended warranty covers the compressor, condenser, and interconnecting refrigeration pipework. It excludes compressor relays, overloads and all other components of this appliance. This extended warranty does not include service, repair or labour costs or any pickup and/or freight charges. Aqua Cooler at its sole discretion may replace the cooler with a new or refurbished cooler of a similar age.

Warranty Exclusions

1. Any costs associated with the removal and reinstallation of repaired or replaced units.
2. Travel expenses to locations further than 100km from any Australian Capital City CBD or further than 100km of a registered Service Agent.
3. Damage to units where mains connected pressure is higher than 700kPa and a pressure limiting valve is not installed.
4. Where the unit is not installed as per installation instructions found within the supplied user manual.
5. The warranty does not cover defects occasioned by misuse, alterations, accident or where the water cooler has been stored on its side.

**FOR ANY CLAIMS UNDER THIS WARRANTY PLEASE CONTACT AQUA COOLER PTY LTD
PHONE: +61 (02) 9721 9300 OR EMAIL: support@aquacooler.com.au**

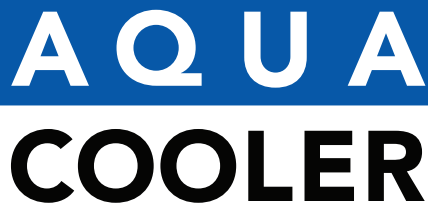
Thank you for your custom and we hope our product provides many years of fault free operation. To enable us to register your warranty and provide the best possible service should a problem occur, we recommend you fill out the section below and return it to us immediately.

This warranty is provided in addition to other rights and remedies you have under law: Our goods come with guarantees which cannot be excluded under the Australian Consumer Law. You are entitled to replacement or refund for a major failure and to compensation for other reasonably foreseeable loss or damage. You are also entitled to have the good repaired or replaced if the goods fail to be of acceptable quality and the failure does not amount to a major failure.

Warranty & Service Registration Form

Please fill in this form and mail to us or send via email to support@aquacooler.com.au. If this form is not completed and returned the warranty period will be deemed to have commenced from date of manufacture.

COMPANY NAME (if applicable):	
CONTACT NAME:	PHONE NUMBER:
ADDRESS:	
SUBURB:	POSTCODE:
MODEL NUMBER:	SERIAL NUMBER:
PURCHASED FROM:	
DATE OF PURCHASE:	



AQUA
COOLER

Your Partner in Cool.

Phone Numbers

Sales: 1300 278 226
Service: 1800 278 226

Address

U14, 2-12 Knobel Court
Shailer Park QLD 4128

Internet

www.aquacooler.com.au
info@aquacooler.com.au