

PF400 SERIES

Pet Friendly Drinking Fountain

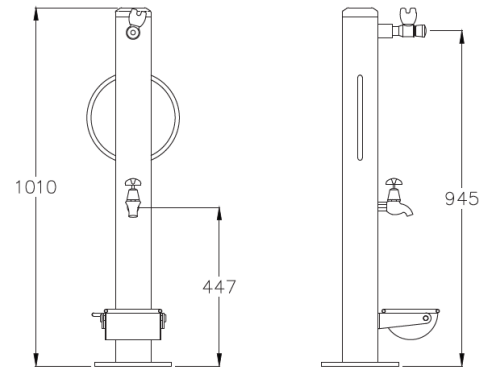
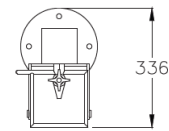
The PF400 is a strong, robust fountains perfect for dog offleash areas, council parks, and outdoor environments where access to water for dogs is required.



KEY FEATURES

- Australian made
- Strong mild steel construction
- 316 stainless steel tippable dog bowl
- Fully welded tap mount socket
- Bottle refill as option
- Vandal resistant
- Easy installation and easy access for maintenance
- Powder coated in premium Dulux steel shield coating finish
- Full parts and technical back up service

With a water bubblers for people and a self-returning tap and easy tipping bowl for dogs as standard. An additional water bottle refill option for pet owners while exercising or enjoying the outdoors with their furry friends.



Technical Specifications

Total Height	1000mm
Width	100mm
Dog Bowl Height	170mm



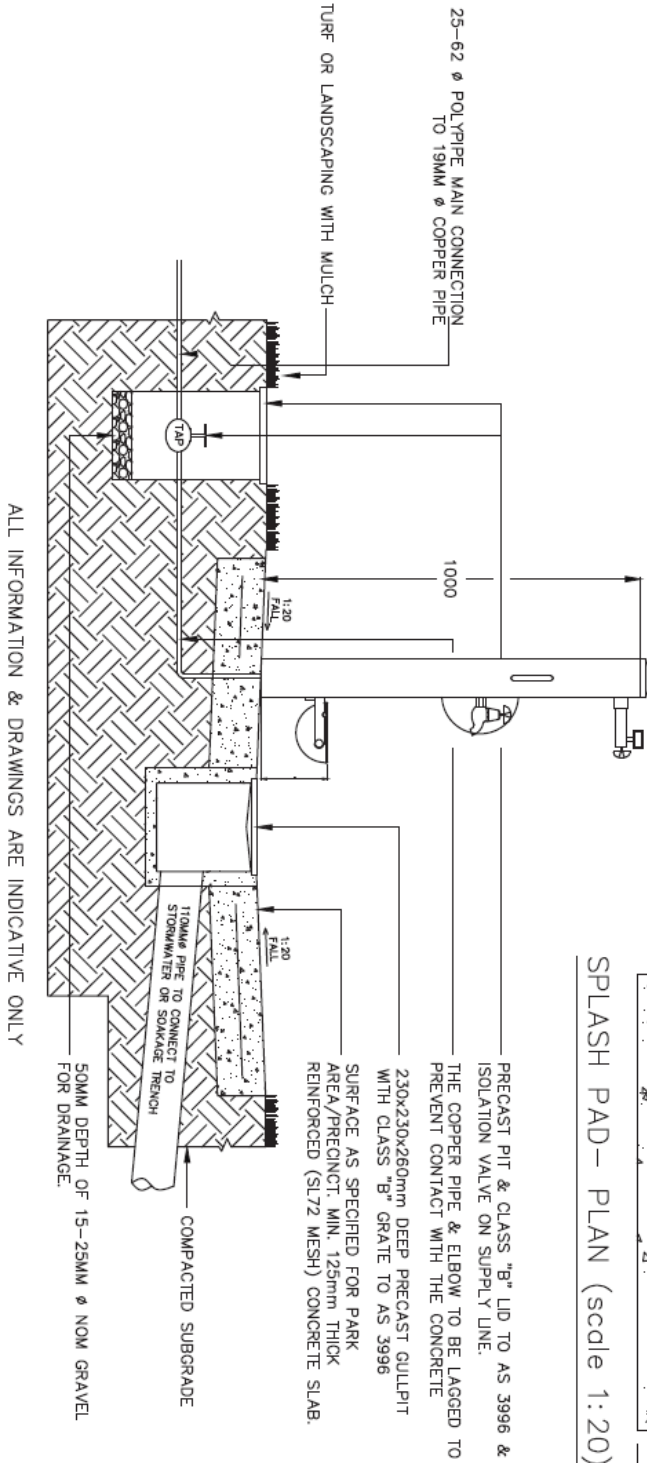
Model Selection

AC-UFF-DFFPF400SURF	PF400 Outdoor Pet Accessible Fountain Powdercoat Standard w/Tap, Dog Bowl
----------------------------	---

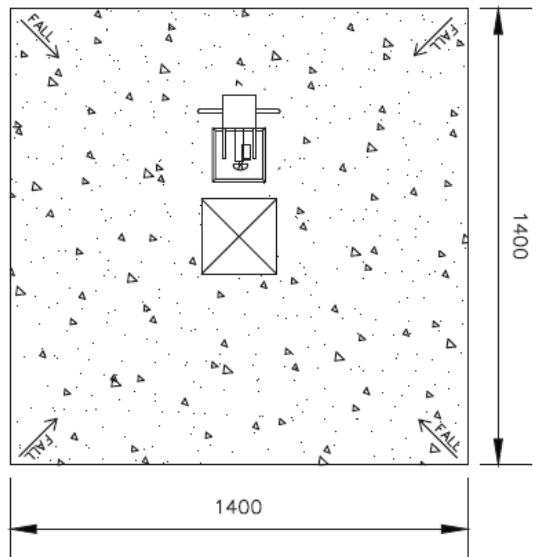
Your Partner in Cool.

AQUA
COOLER

TECHNICAL SPECIFICATIONS



SPLASH PAD - PLAN (scale 1:20)



Your Partner in Cool.

AQUA
COOLER