

BF200WM SERIES

Usage and Care Manual

Models: BF200WM
(Also available in 3 TAP & 4 TAP variations)



Your Partner in Cool.

AQUA
COOLER

INSTALLATION

1. All UrbanFF Fountains must be installed by a qualified plumber in accordance with National plumbing and drainage code AS/NZS 3500.1 and AS/NZS 3500.2 and any local authority codes.
2. Before Installation FLUSH ALL EXTERNAL LINES before connecting to fountain.
3. When mounting the fountain off a wall, check first with a Structural Engineer to ensure it has the capacity to support this cantilevered fountain. Provide adequate surface for mounting fountain.
4. Remove the fountain from the packaging preventing scratching and damage.
5. Use a standard Metric Allen Key (size 6) for an M6 CSK head screw. Unscrew 3 x off M6 CSK screws from the front face of the Tap Flange/s. Do this to all instances where there is a tap and flange present, either a 2 tap, 3 tap or 4 tap.
6. Pull the sub assembly of the bottle filler tap and flange forward, in order to gain access into the aperture behind the flange plate.
7. Present the entire BF200WM bottle filler product, complete with the loose tap and flanges to the wall, or desired location. Using a permanent marking pen, whilst holding the Bottle Filler Product in the desired installation location, mark all mounting holes located on the mounting tabs on the back of the bottle filler, to the wall.
8. Remove entire bottle filler product from mounting location and using an 8mm masonry drill, drill holes into wall to desired depth. * Please note, this is a recommendation, mechanical fasteners may differ by installation specialist decision.
9. Insert M8 x 75 (or similar) dyna bolts into drilled hole location in the wall.
10. Present complete BF200WM bottle filler product, complete with loose taps and flanges, to the wall and fix to inserted dynabolt positions.
11. Whilst Bottle filler product is in position on the wall, using a socket wrench with an extension and desired socket size, present M8 nuts to the M8 dyna bolts and screw up tight. This must be done through the front facing aperture behind the tap and mount flange, from the front of the bottle filler product.
12. Feed the filler tap and flange back into the aperture on the front of the fountain and use the size 6 Allen key to screw the flanges back into their original position on the front of the fountain.
13. A certified Plumber must connect the main water supply to the fountain by screwing a standard 1/2 inch connection to the provided inlet location on the bottom right-hand side of the bottle filler product.
14. Please see the associated diagrams across page.

IMPORTANT

**THIS UNIT MUST BE INSTALLED BY AN AUTHORISED PLUMBER
THE UNIT TO BE CONNECTED IN ACCORDANCE WITH
AS/NZS 3500.1 or AS/NZS 3500.2**

Attention Plumbers:

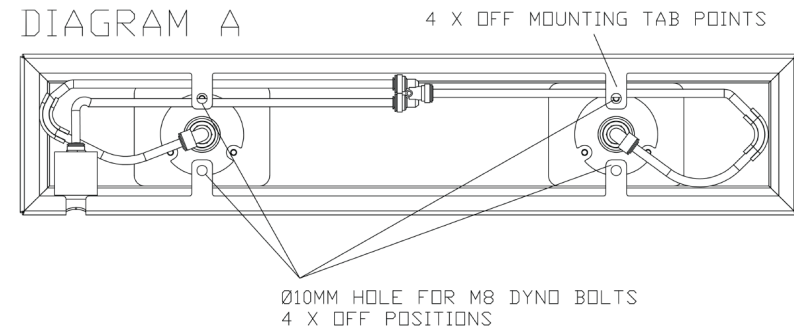
- This fountain uses "Push In Fittings". Failure to release these fittings correctly will result in leakage.
- These quick release fittings allow instant connection and disconnection without the use of spanners.

FEATURES AND SPECIFICATIONS

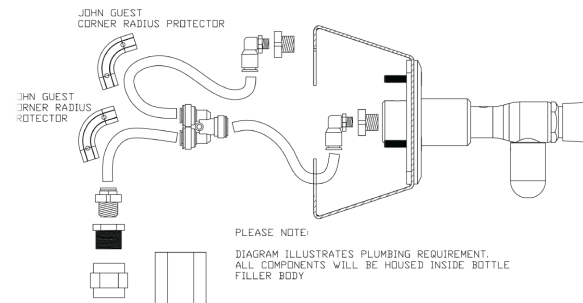
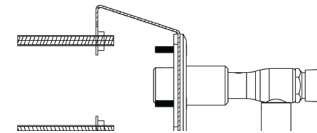
Specifications

- 1/2" bsb water inlet (15mm)
- Maximum Temperature: 40 c
- Maximum Water Pressure: 1000 kpa
- Complies with WMTS-105 Technical Specification: Appliances - Beverage dispensers and icemakers
- Complies with AS/NZS 4020 Testing of products in contact with drinking water

DIAGRAM A

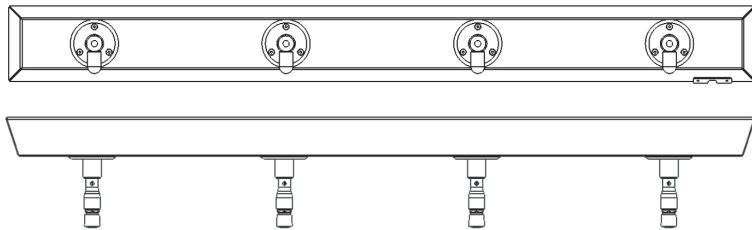


RECOMMENDED 4 X OFF
M8 X 75MM DYNO BOLTS



CARE & MAINTENANCE

1. Regular washing down of the exterior surface will help prolong the lustre of the painted finish.
2. Painted fountains that become dull due to prolonged exposure to direct sunlight can be restored with an appropriate surface polish.
3. To maintain the exterior of the fountain carefully remove any loose surface deposits with a wet sponge. Use a soft (non abrasive) brush and dilute a solution of mild detergent (eg. PH-neutral liquid hand washing detergent in warm water (DO NOT use solvents) to remove dust, salt and other deposits. Rinse thoroughly with clean fresh water to remove residues. To remove any Tea Staining on Stainless Steel surfaces we recommend Drifter Hull cleaner and stain remover.
4. Do not use any solvents on the surface as this will adversely affect the longevity of the painted finish.
5. Surface scratches and inconsistencies can be touched up using Dulux touch up paint. Most colours can be matched.
6. We recommend the use of anti-seize paste on all external fixing bolts to maintain ease of access over long periods of time.
7. Check the fountain internal connections, water flow and all external access screws and fixing bolts regularly (every 3mths) to ensure they are tight.
8. In high debris areas (parks, children's playgrounds etc) where there may be sand or bark or a lot of leaf litter that may be placed in to the basin, check regularly and remove debris to prevent blocking of the basin or the waste outlet pipe.
9. After any interruption to the water supply, always flush the lines prior to reconnection to the fountain to prevent debris entering the valve.



Model: BF200WM (Also available in 3 TAP and 2 TAP variations)

TRANSPORT AND STORAGE

Immediately upon receipt of the BF200WM carefully inspect the unit for any damage that may have occurred in transit. Any such damage must be noted on the carrier delivery documents. It is the consignee's responsibility to make any claims on the carrier or respective insurance company. Any hidden damage should be reported to Aqua Cooler as soon as possible.

TROUBLESHOOTING & MAINTENANCE

There is restricted or no water flow? Check the inlet lines for kinks in the tubing. Ensure the water supply valve is fully open. Check the water pressure regulator is open.

The water continues to drip / run after shutting off? The most common cause of water not shutting off is a leaking valve and is due to the lines not being flushed adequately and debris getting in to the valve through the inlet and sitting on the rubber seals. To check the valve it will need to be removed. Please contact this office for details instructions to ensure this is done correctly.

The water flow is shooting over the top of the basin or is not high enough and trickling over the nozzle? The water pressure is too high / low and needs to be adjusted via the water flow regulator so it flows in to the catchment area of the basin.

Leaking from the internal connections? Check that they have been installed correctly. (all fountains are leak tested prior to leaving the factory). Have the push in fittings been pulled? (see instructions on how to connect and disconnect push in fittings). Is the water inlet connection tight?

WARRANTY

All outdoor drinking fountains are covered by a 2 year manufacturers guarantee against faulty materials and workmanship under normal wear and tear conditions.

All fountains are date stamped at the time of despatch. This warranty will only apply under the following conditions:

- The fountain was installed in accordance with our installation instructions that are supplied with every fountain.
- The fountain was installed by a licensed plumber
- The water lines have been thoroughly flushed prior to connection to the fountain
- The fountain has not been tampered with or repaired in any way without obtaining prior approval from our factory specialists first.
- The fountain has been serviced and maintained as per our supplied instructions.

The warranty is void if unit is modified in any way, misuse, faulty installation, water conditions and unauthorized persons working on the unit.

The warranty does not cover filters


If unit does not operate correctly, the unit must be sent back to the manufacturer's factory for replacement or repairs to the unit and customer to pay freight both ways

The company obligation per warranty is limited to repair or replacement of parts at the discretion of the company

(For disclaimer particulars contact manufacturer)

Aqua Cooler Pty Ltd reserves the right to amend this warranty or design at any time without notice.

Your Partner in Cool.



AQUA
COOLER

Your Partner in Cool.

Phone Numbers

Sales: 1300 278 226
Service: 1800 278 226

Address

U14, 2-12 Knobel Court
Shailer Park QLD 4128

Internet

www.aquacooler.com.au
info@aquacooler.com.au