

# BF200WM SERIES

## Wall-Mounted Bottle Refill Strip

These dynamically designed bottle refill strips can be retrofitted to existing environments to offer a safe and hygienic alternative to standard bubblers. Minimising water waste from filling bottles using bubbler fittings.

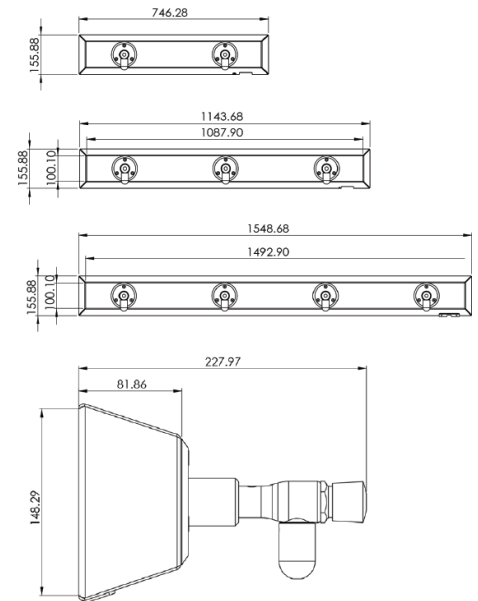
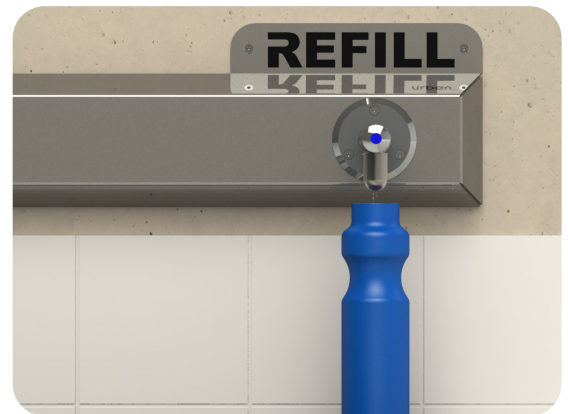
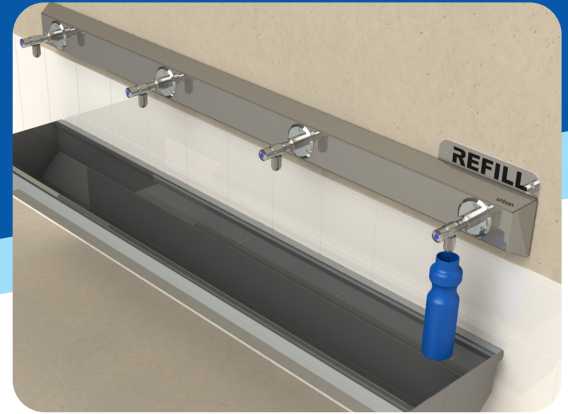


### KEY FEATURES

- 316 Stainless Steel
- Solid Construction
- Vandal Resistant Tap Flange
- Easy Push Activator (self-returning)
- Polished Finish
- 316 S/S Fixings
- Australian Made
- Perfect for installation above existing school bubbler troughs

All of our bottle refill strips have:

- Push and fill functionality
- Spring loaded auto shutof
- Do not require hand touch (simply push with arm or elbow)
- Designed to reduce water waste
- Ideal for placement above existing bubbler systems
- Available in 2, 3 and 4 tap refill solutions
- Made from high quality stainless steel
- Strong and vandal resistant



### Technical Specifications

Total Height	155mm
Width	746mm, 1143mm or 1548mm



### Model Selection

<b>AC-UFF-DFBF200WM</b>	BF200WM 2 Tap Bottle Refill Strip - Standard
<b>AC-UFF-DFBF200WM3T</b>	BF200WM 3 Tap Refill Strip - Standard
<b>AC-UFF-DFBF200WM4T</b>	BF200WM 4 Tap Refill Strip - Standard
<b>AC-UFF-DFBF200WM-BANNER</b>	BF200WM - Refill Banner

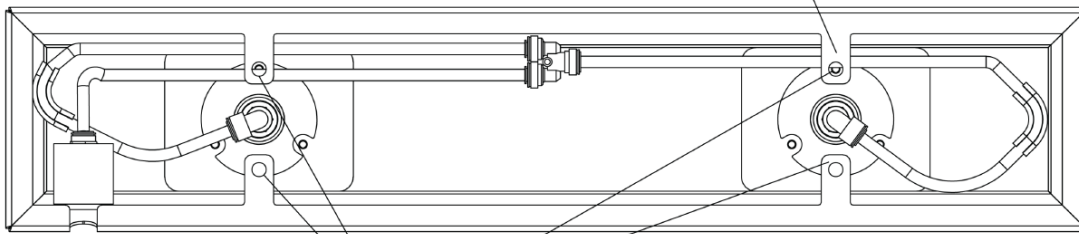
Your Partner in Cool.

**AQUA  
COOLER**

# TECHNICAL SPECIFICATIONS

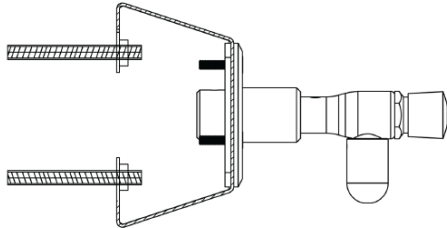
DIAGRAM A

4 X OFF MOUNTING TAB POINTS



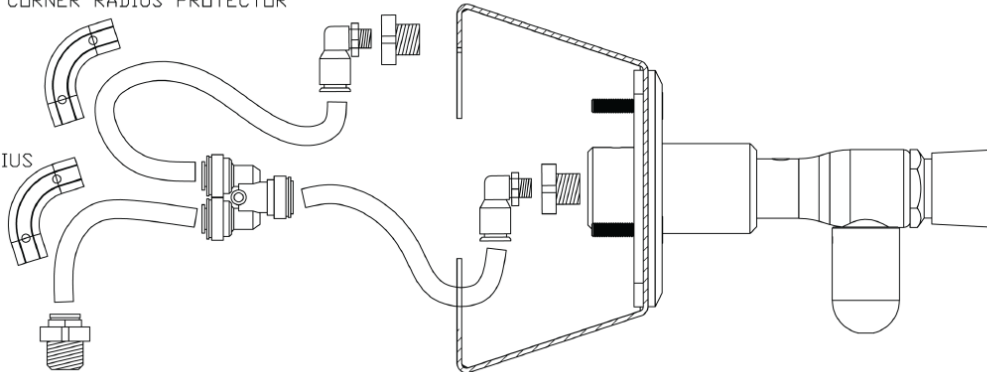
Ø10MM HOLE FOR M8 DYNØ BOLTS  
4 X OFF POSITIONS

RECOMMENDED 4 X OFF  
M8 X 75MM DYNØ BOLTS



JOHN GUEST  
CORNER RADIUS PROTECTOR

JOHN GUEST  
CORNER RADIUS  
PROTECTOR



PLEASE NOTE:

DIAGRAM ILLUSTRATES PLUMBING REQUIREMENT.  
ALL COMPONENTS WILL BE HOUSED INSIDE BOTTLE  
FILLER BODY

Your Partner in Cool.

**AQUA**  
**COOLER**