

# PT30 SERIES

## Remote Water Cooling Systems

The PT30 Remote Storage features a large storage tank of 120L and is able to chill water down to 10 °C from 27 °C in 32 °C ambient at a rate of 110 L/h. Perfect for connection to drinking water troughs found in education environments. Also can be used to pre chill water for ice machines or in other commercial environments.



### KEY FEATURES

- Constructed from heavy-duty galvanised steel
- High capacity storage to meet demand
- Watermark compliant
- Refrigerant R-134a for high ambient conditions

The Aqua Cooler PT30 remote storage features a large storage tank of 120L and can chill water down to 10°C from 27°C in 32°C ambient at a rate of 110L/H. Perfect for connecting to drinking water troughs in education environments. Also can be used to pre-chill water for ice machines or in other commercial environments.



### Technical Specifications

Water Reservoir	120 Litres	
Refrigerant	Uses R134A refrigerant	
Water Connections	Water Inlet	½" Male B.S.P
	Water outlet	½" Male B.S.P
Thermostat Control	The thermostat is factory set	
Capacity	113L/h	

Power Consumption	650W
Electrical	220-240V, 50/60 Hz
Warranty	Twelve month comprehensive coverage, additional twenty-four month compressor replacement.

### Model Selection Chart

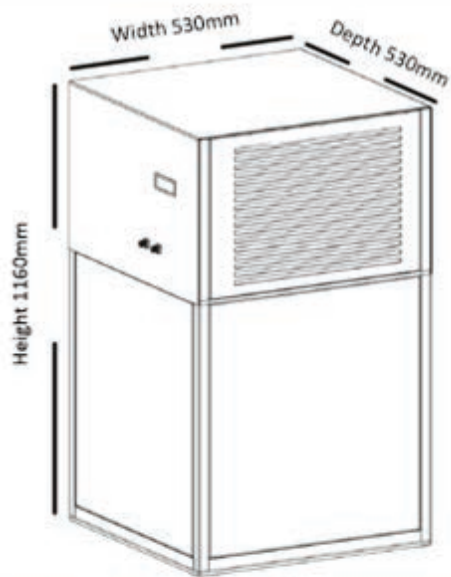
Model	Rated Capacity	Compressor HP	Full Load Amps	Rated Watts	Cabinet Finish	Net Weight (Approx.)
PT30	110.0 L/H	½	4.2 A	650 W	Galvanised Steel	35 kg

Your Partner in Cool.

**AQUA**  
**COOLER**

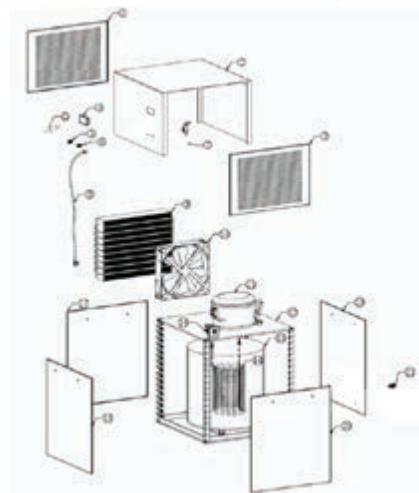
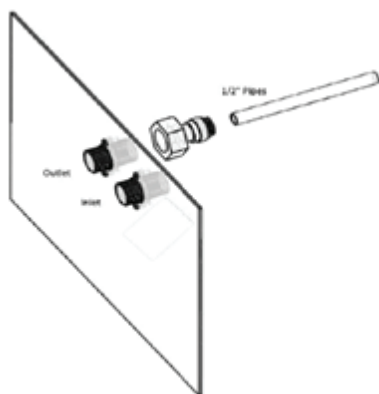
# TECHNICAL DRAWINGS

## Product Diagram



PT30 Size: 530 x 530 x 1160mm

(The unit comes with forklift pockets.)



## Electrical Diagram

