



# PT30 SERIES

## Usage and Care Manual

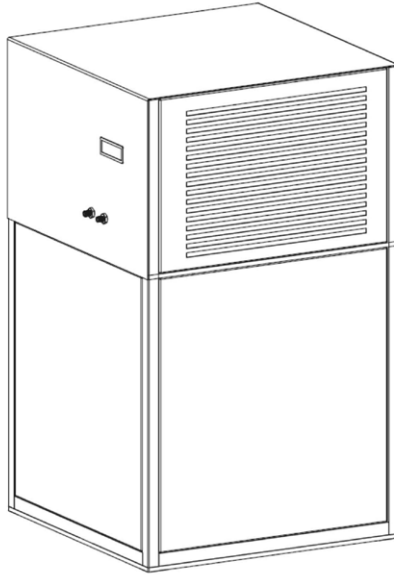
Models: PT30

Your Partner in Cool.

**AQUA**  
**COOLER**

# PRODUCT DIAGRAM

PT30 Size: 530 x 530 x 1160mm (The unit comes with forklift pockets.)



## TECHNICAL SPECIFICATIONS

Items:	Specification:	
Water Reservoir	120 Litres	
Refrigerant	Uses R134A refrigerant	
Water Connections	Water Inlet	½" Male B.S.P
	Water outlet	½" Male B.S.P
	Drain	½" Male B.S.P
Thermostat Control	The thermostat is factory set	
Capacity	113L/h	
Power Consumption	650W	
Electrical	220-240V, 50/60 Hz	
Warranty	Twelve month comprehensive coverage, additional twenty-four month compressor replacement.	

*WaterMark: This product complies with the lead-free requirements of the National Construction Code Volume Three*

# IMPORTANT SAFETY INSTRUCTIONS

When using electrical appliances, basic safety precautions should be followed to reduce the risk of fire, electric shock and injury to persons or property. Read all instructions before using any appliance.

1. Keep combustible material such as furniture, bedding, pillows, clothes and/or papers away from the back of the unit.
2. Do not operate this, or any other appliance, with a damaged power cord.
3. No other appliance should be plugged into the same outlet. Be sure that the plug is fully inserted into the outlet.
4. Do not run the power cord over carpeting or other heat insulators.
5. Do not cover the power cord.
6. Keep the power cord away from high traffic areas.
7. Do not submerge the power cord in water.
8. We do not recommend the use of extension cords as they may overheat and increase the risk of fire.
9. Exercise caution and use reasonable supervision when the appliance is used by or near children.
10. Make sure that there is at least 800 mm of space between the back of unit and wall. Keep a minimum of 800 mm on each side of unit free.
11. Do not use this product to dispense anything other than water.
12. This appliance must be placed on an even and flat surface.
13. If the supply cord is damaged, the manufacturer, one of its service agents or a similarly qualified person must replace it in order to avoid hazard.
14. This water cooler must be positioned so the plug is accessible.
15. Disconnect the plug from the outlet when not in use.
16. Remove power plug or disconnect from main power source before servicing the appliance.
17. Warranty will be voided if installation is not carried out as detailed in this instruction manual.
18. The compressor motor is equipped with an automatic reset protector which will disconnect the motor from the line in case of an overload.

## IMPORTANT INFORMATION ABOUT GROUNDING

- To provide additional protection from the risk of shock, this unit **MUST** be connected to a residual-current device (RCD) outlet. Use of an extension cord will void any warranties.
- This appliance must be grounded. Improper use of the grounding plug can result in a risk of electric shock, causing serious injury and possibly death.
- This appliance is equipped with a power cord having a grounding wire with a grounding plug and must be connected into a properly grounded, polarised outlet.
- Consult a qualified electrician if the grounding instructions are not completely understood, or if doubt exists as to whether the appliance is properly grounded. If the wall outlet is a standard, 2-prong outlet, it is your personal responsibility and obligation to have it replaced with a properly grounded, 3-prong wall outlet.
- Do not under any circumstances cut or remove the third (ground) prong from the power cord plug. Do not use an adapter plug with this appliance.

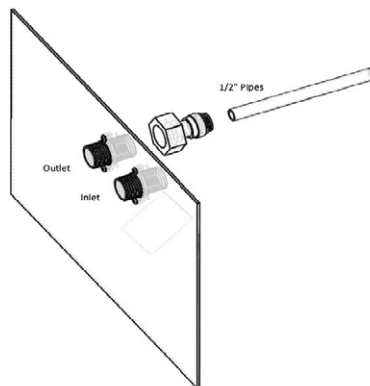
# UNPACKING PT30

1. After unpacking PT30, wipe with a soft cloth. Check the unit for evidence of rough handling.
2. Place the machine on a hard, flat surface. Make certain the unit is level. The unit should not be close to sources of heat, otherwise performance may be affected.
3. It is best to place the water fountain in an area with good air circulation. Make sure there is at least 800 mm of space between the back of the fountain and the wall.

# INSTALLATION

The installation must be in accordance with AS/NZS 3500.2, as well as the instructions below. The unit must be installed with the backflow prevention device complying with AS/NZS2845.1. Drain fitting must comply with AS1589 and AS2887. Aqua Cooler recommends this installation is performed by qualified personnel only. Please refer to figure and steps below for instruction.

1. Ensure proper ventilation be allowing 800 mm clearance on each side of PT30.
2. Minimum water pressure is 100 kPa and maximum is 700 kPa.
3. The recommended maximum water inlet temperature is 38°C. Cooling performance may be affected in high ambient condition or high-water inlet temperatures.
4. The water inlet connection is secured via the end connection ½" Male B.S.P It is recommended that a shut off valve is installed at this point for ease of future maintenance. It is essential to install a backflow prevention device on the water inlet. The drain outlet is also ½" Male B.S.P and must be plumbed to waste complying with AS1589/AS2887.
5. Turn on water supply and on the drinking trough/bubbler (sold separately) to purge the system of air until a steady stream of water comes from the water outlets.
6. The drinking trough/bubbler (sold separately) needs to be adjusted for correct water flow in relation to the local water pressure.
7. Check all connections for water leaks.
8. Flush fresh water through the unit for 5 minutes to ensure any residual water from testing is cleared.
9. Plug the PT30 into the building electrical supply. The unit will start automatically.



# REMOVING FROM SERVICE

1. Disconnect the power supply cord.
2. Disconnect the water supply.
3. Disconnect the pressure relieving pipe
4. Remove the water outlets, and if present remove the shut off valve.
5. Always drain all water when freezing temperatures are anticipated and before shipping the unit.

# MAINTENANCE

- The only maintenance operation required is the removal of dirt and lint from the condenser and clean up inlet, outlet, and drain connections. Maintenance should be made at 3-month intervals.
  - » Disconnect the power supply.
  - » Clean the condenser with a small stiff non-wire brush.
  - » Check inlet, outlet and drain connections.
- The fan motor on this unit seldom needs oiling. If required, a few drops of SAE 10 oil should be used.
- The unit is equipped with a hermetically sealed compressor and requires no additional lubrication.
- Aqua Cooler recommends the unit to be checked every month, ensuring there is no blockage in the condenser or in the back of the unit. Please remove all potentially harmful factors to prevent any scratch or damage to the unit.
- If customers require the unit's spare parts information, please contact the Aqua Cooler service department for further assistance. The direct line is located on the back of this manual.

# TROUBLESHOOTING

Problem	Possible Cause	Remedy
No water flowing out of the unit.	Water source has been suspended	Restore water supply.
	The system is clogged	Check the pipes.
Unit does not dispense cold water	The cooling controller is turned of	Check the position of the mechanical thermostat and set to desired temperature.
	Power failure	Check the power cord is properly plugged in or if there is a power outage.
	The ventilation around the unit is insufficient.	Ensure sufficient ventilation space around the unit.
	System malfunction	Contact Aqua Cooler service team.
	The temperature of the incoming water is too high	Ensure the unit is not placed in direct sunlight or close to other heat sources.
Unit is noisy during operation	The appliance is not level	Place the unit on a level flat surface.
	Unit is touching other objects	Ensure the unit is standing free of any surrounding objects.
The water being dispensed has a strange taste.	This is not uncommon with new water coolers. Do not worry, this is not dangerous to your health.	Flush as per installation instructions. Perform cleaning procedure.

# MARKS



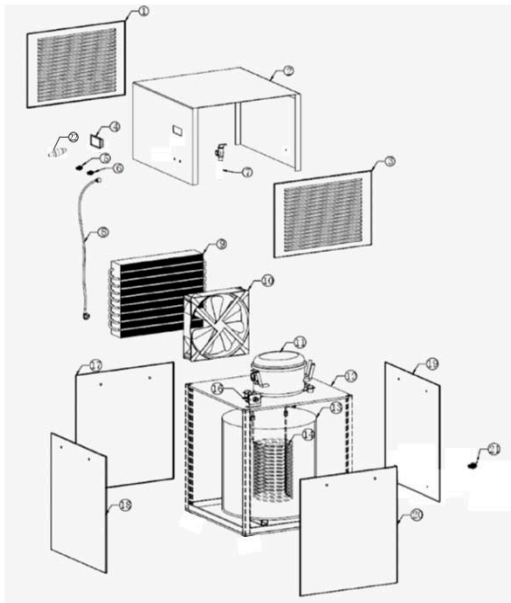
**Lead Free**

**WMTS-105**

**WM-026317**

The appliance is complying with applicable ACMA regulatory arrangements (Regulatory Compliance Mark) and Watermark WMTS 105:2016.

# EXPLODED DIAGRAM

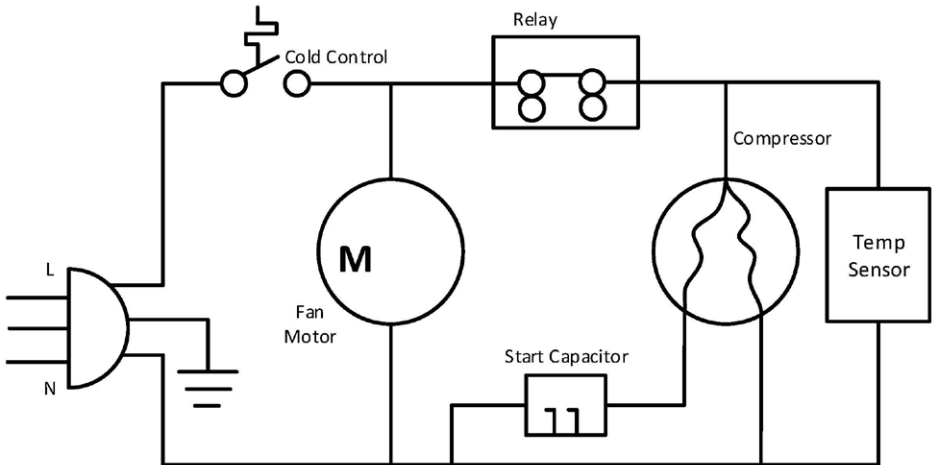


# SPARE PART LIST

#	Description	Code
1	Grills, upper side 1	PT3001
2	Wrapper, top	PT3002
3	Grille upper side 2	PT3003
4	Temperature sensor	PT3004
5	Fitting inlet	PT3005
6	Fitting outlet	PT3006
7	Pressure relief valve	PT3007
8	Australian power cord	PT3008
9	Condenser	PT3009
10	Fan	PT3010
11	Compressor	PT3011

#	Description	Code
12	Base plate for comp.	PT3012
13	Cooling tank	PT3013
14	Evaporator	PT3014
15	Internal pipes	PT3015
16	Thermostat (cold)	PT3016
17	Panel, lower 1	PT3017
18	Panel, lower 2	PT3018
19	Panel, lower 3	PT3019
20	Panel, lower 4	PT3020
21	Drain outlet	PT3021

# ELECTRICAL DIAGRAM



# WARRANTY AND SERVICE REGISTRATION

## For All Aqua Cooler Water Cooler and Fountain Products

Effective July 2017

Aqua Cooler Pty Ltd warrants this appliance to the first purchaser as follows and subject to the stated conditions.

**12 Month Comprehensive Warranty** - Any defect in the appliance occurring within the first twelve months from the date of purchase will be rectified free of charge by Aqua Cooler Pty Ltd or by any authorised independent Service Agent.

**24 Month Extended Warranty** - Aqua Cooler Pty Ltd agrees to replace any part of the hermetically sealed refrigeration system which becomes inoperative in the two years following the first years comprehensive warranty. This extended warranty covers the compressor, condenser, and interconnecting refrigeration pipework. It excludes compressor relays, overloads and all other components of this appliance. This extended warranty does not include service, repair or labour costs or any pickup and/or freight charges. Aqua Cooler at its sole discretion may replace the cooler with a new or refurbished cooler of a similar age.

### Warranty Exclusions

1. Any costs associated with the removal and reinstallation of repaired or replaced units.
2. Travel expenses to locations further than 100km from any Australian capital city CBD or further than 100km of a registered Service Agent.
3. Damage to units where mains connected pressure is higher than 700 kPa and a pressure limiting valve is not installed.
4. Where the unit is not installed as per installation instructions found within the supplied user manual.
5. The warranty does not cover defects occasioned by misuse, alterations, accident or where the water cooler has been stored on its side.

FOR ANY CLAIM UNDER THIS WARRANTY PLEASE CONTACT AQUA COOLER PTY LTD

PHONE: +61 (02) 9721 9300 OR EMAIL: care@aquacooler.com

Thank you for your custom and we hope our product provides many years of fault free operation. To enable us to register your warranty and provide best possible service should a problem occur, we recommend you fill out the section below and return it to us immediately.

---

---

This warranty is provided in addition to other rights and remedies you have under law: Our goods come with guarantees which cannot be excluded under the Australian Consumer Law. You are entitled to replacement or refund for a major failure and to compensation for other reasonably foreseeable loss or damage. You are also entitled to have the goods repaired or replaced if the goods fail to be of acceptable quality and the failure does not amount to a major failure.

---

---

### Warranty and Service Registration Form

Please fill in this form and mail to us or send via email to care@aquacooler.com. If this form is not completed and returned the warranty period will be deemed to have commenced from date of manufacture.

COMPANY NAME (if applicable):

CONTACT NAME:

PHONE NUMBER:

ADDRESS:

SUBURB:

POSTCODE:


MODEL NUMBER:

SERIAL NUMBER:

PURCHASED FROM:

DATE OF PURCHASE:

Your Partner in Cool.



**AQUA**  
**COOLER**

Your Partner in Cool.

**Phone Numbers**

Sales: 1300 278 226  
Service: 1800 278 226

**Address**

30-36 Relentless Court  
Park Ridge QLD 4125  
Australia

**Internet**

[www.aquacooler.com.au](http://www.aquacooler.com.au)  
[care@aquacooler.com](mailto:care@aquacooler.com)

© Aqua Cooler 2026 - Version 0526

This document is available digitally on our website at [www.aquacooler.com.au/remote-water-systems/pt30-series/](http://www.aquacooler.com.au/remote-water-systems/pt30-series/)